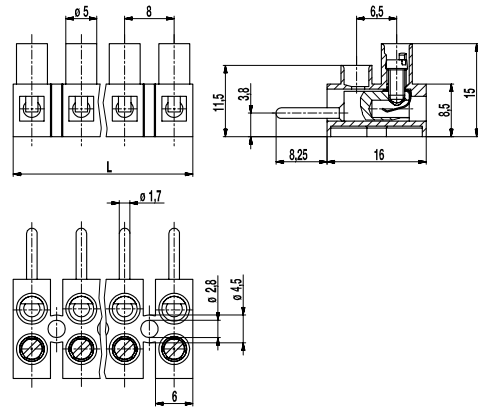


302-SV(-DS)

Plug-in terminal strip
Screw connection & pin



GENERAL INFORMATION

Pitch	8 mm
No. of poles	2 - 12
Usable with	302-FB(-DS), 302-FBG, 302-FLW-DS
Areas of application	Applications that require to easily open and close not energised circuits.

TECHNICAL DATA

Clamping Range	<i>solid / stranded / AWG</i>		
without wire protector	0,5 - 4 mm ² / 0,5 - 2,5 mm ² / 20 - 12 AWG		
with wire protector	0,34 - 2,5 mm ² / 0,34 - 1,5 mm ² / 22 - 14 AWG		
Rated Cross Section	1,5 mm ²		
Wire Stripping Length	5 mm ± 0,5 mm		
Overvoltage Category	III	III	II
Pollution Severity Level	3	2	2
Rated Voltage	160 V	160 V	320 V
Rated Impulse Voltage	2,5 kV	2,5 kV	2,5 kV
Rated Insulation Voltage	130 V acc. to EN 60998-1		
Rated Current	6 A		
Torque	0,4 Nm		
Other specifications	Rated values apply to use in combination with 302-FB(-DS) and without insulated substrates.		

APPROVALS

	Current [A]	Voltage [V]	Group	AWG	[Nm]
	6	300	B,C,D	20 - 14	0,4 [2]
	10	300	B,D,E	26 - 12	0,4 [1][2]

CONFIGURATIONS

Version	Poles	Item	Article number	Item	Article number	Length (L)	PU
Standard	2	302-SV/02	60.820.029	302-SV-DS/02	48.820.029	15,00 mm	250
Standard	3	302-SV/03	61.820.029	302-SV-DS/03	49.820.029	23,00 mm	250
Standard	4	302-SV/04	62.820.029	302-SV-DS/04	50.820.029	31,00 mm	250
Standard	5	302-SV/05	63.820.029	302-SV-DS/05	51.820.029	39,00 mm	80
Standard	6	302-SV/06	64.820.029	302-SV-DS/06	52.820.029	47,00 mm	80
Standard	7	302-SV/07	65.820.029	302-SV-DS/07	53.820.029	55,00 mm	50
Standard	8	302-SV/08	66.820.029	302-SV-DS/08	54.820.029	63,00 mm	50
Standard	9	302-SV/09	67.820.029	302-SV-DS/09	55.820.029	71,00 mm	50
Standard	10	302-SV/10	68.820.029	302-SV-DS/10	56.820.029	79,00 mm	40
Standard	11	302-SV/11	69.820.029	302-SV-DS/11	57.820.029	87,00 mm	40
Standard	12	302-SV/12	70.820.029	302-SV-DS/12	58.820.029	94,00 mm	40

MATERIAL

Moulding	PA, natural, V-2
Comparative Tracking Index	CTI ≥ 600
Insulating Group	I
Temperature Range	-40°C up to 100°C
Terminal body	Tin plated brass
Screw	M2,6; zinc plated steel, blue passivated
Wire protector	Tin plated tin bronze
Plug	Tin plated brass

OPTIONS / ACCESSORIES

- Marking options on the screw guides
- Jumper 302-J
- Moulding made of special polyamide for e.g. household appliances

[1] for 302-SV-DS: 26 - 14 AWG

[2] For mounting on a suitable insulated surface, spacer or similar means

